

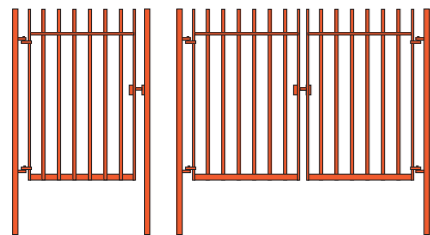
Gates TO COMPLEMENT THE **UltraBAR™** FENCING SYSTEMS

All gates are fully designed and manufactured in-house. This facility ensures that we have the ability to supply a full range of gates to meet your requirements.

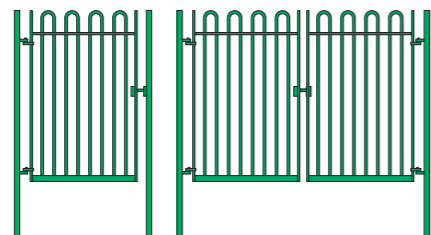
Gates of all sizes and configurations can be produced galvanised to BS EN ISO 1461: 1999 and polyester powder coated to any colour.

A range of standard gates and panels are available from stock. Powder coated to RAL 9005-Black and RAL 6005-Green.

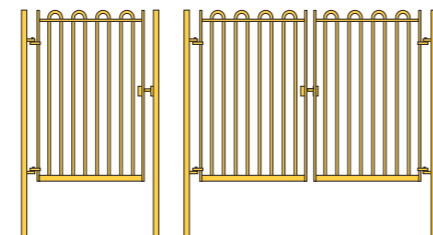
TYPICAL **UltraBAR™** VERTICAL GATE DETAIL



TYPICAL **UltraBAR™** BOW TOP GATE DETAIL



TYPICAL **UltraBAR™** PLAYGROUND GATE DETAIL



SINGLE LEAF UltraBAR™ GATES - BETWEEN POSTS

	1.310	1.560	1.810	2.060	2.310	2.580	2.830	3.000
1.000	4	4	4	4	4	4	4	4
1.200	4	4	4	4	4	4	4	4
1.500	4	4	4	4	4	4	4	4
1.800	4	4	4	4	4	4	4	4
2.100	4	4	4	4	4	4	4	4
2.400	4	4	4	4	4	4	4	4

DOUBLE LEAF UltraBAR™ GATES - BETWEEN POSTS

	2.590	3.090	3.590	4.090	4.590	5.130	5.630	6.130
1.000	4	4	4	4	4	4	4	4
1.200	4	4	4	4	4	4	4	4
1.500	4	4	4	4	4	4	4	4
1.800	4	4	4	4	4	4	4	4
2.100	4	4	4	4	4	4	4	4
2.400	4	4	4	4	4	4	4	4

Case Studies

- A. St. Johns RC Primary School
- B. Haddon House Respite
- C. St. Annes Primary School
- D. Aldington Library
- E. Manchester Piccadilly Railway Station



info@amkfencein@aol.com

AMK Fence-In Limited
 Wallace Road, Parkwood Springs, Sheffield S3 9SR
 Tel: 0114 273 9372
 Fax: 0114 273 9373



UltraBAR™
 ADAPTABLE
 RAILING SYSTEM

USAGE:

- Parks & Amenities
- Housing Schemes
- Nurseries & Schools
- Railways

ADVANTAGES:

- Ease of Erection
- Low Maintenance
- Self Raking
- Unlimited Entrapment Prevention
- Play Safe Compliant to EN1176
- Aesthetically pleasing



System

UltraBAR™ ADAPTABLE RAILING SYSTEM

Products shown within this publication are the subject of patent, design and other intellectual property rights.

Through cold roll forming technology, we have developed our raking joint system. Both secure and flexible UltraBAR™ will give the installer the desired angle.

The UltraBAR™ system is the lightest and most adaptable system available today. UltraBAR™ has been developed for ease of erection, being supplied in pre-assembled panels that simply bolt into place.

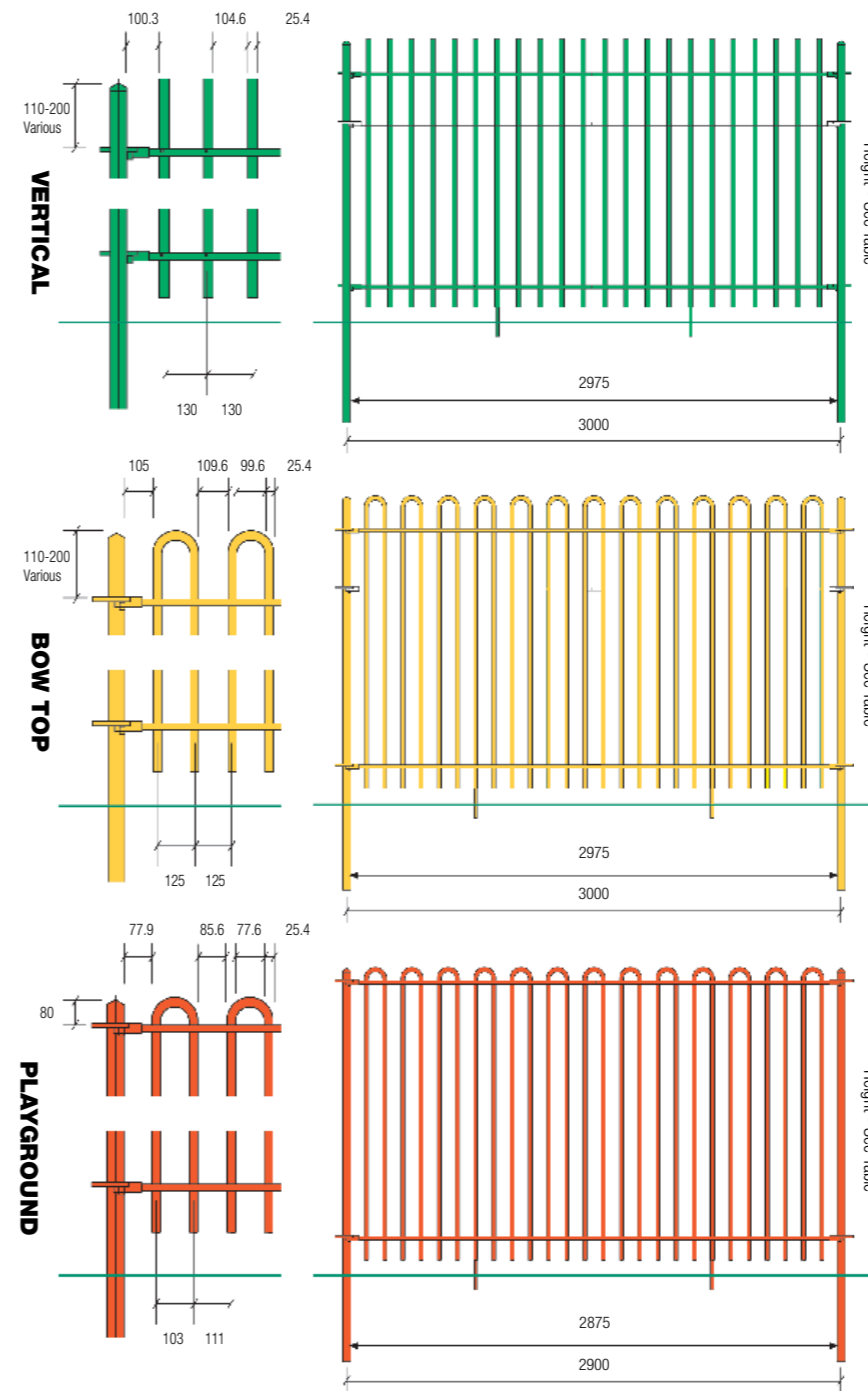
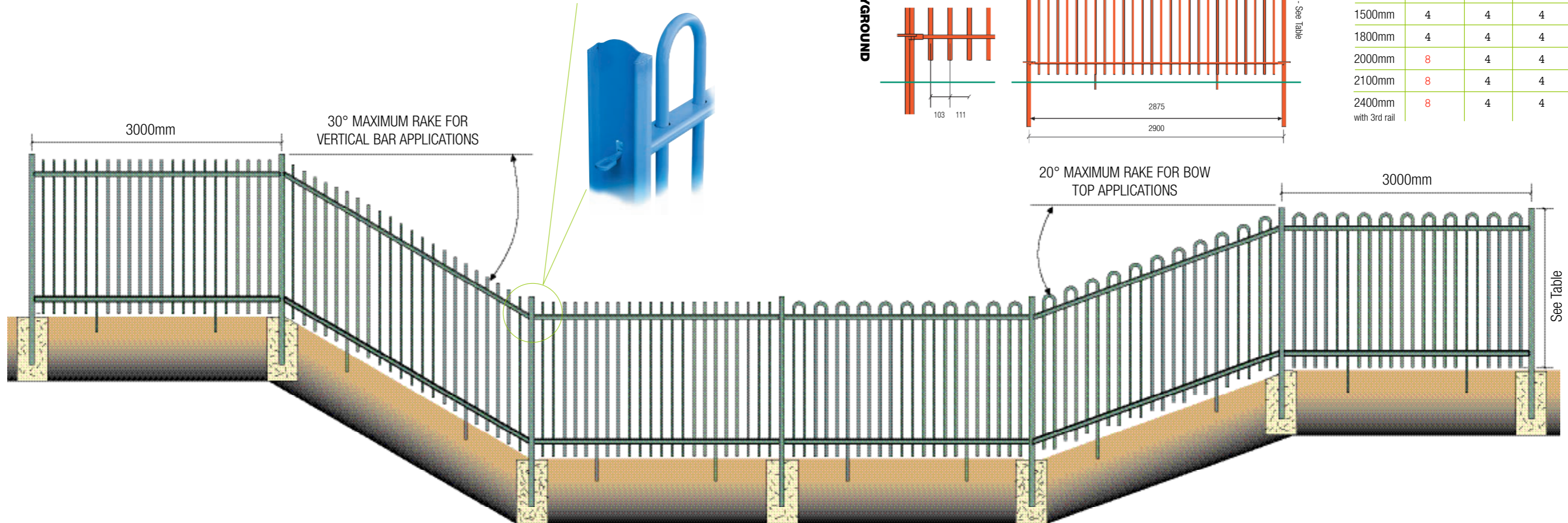
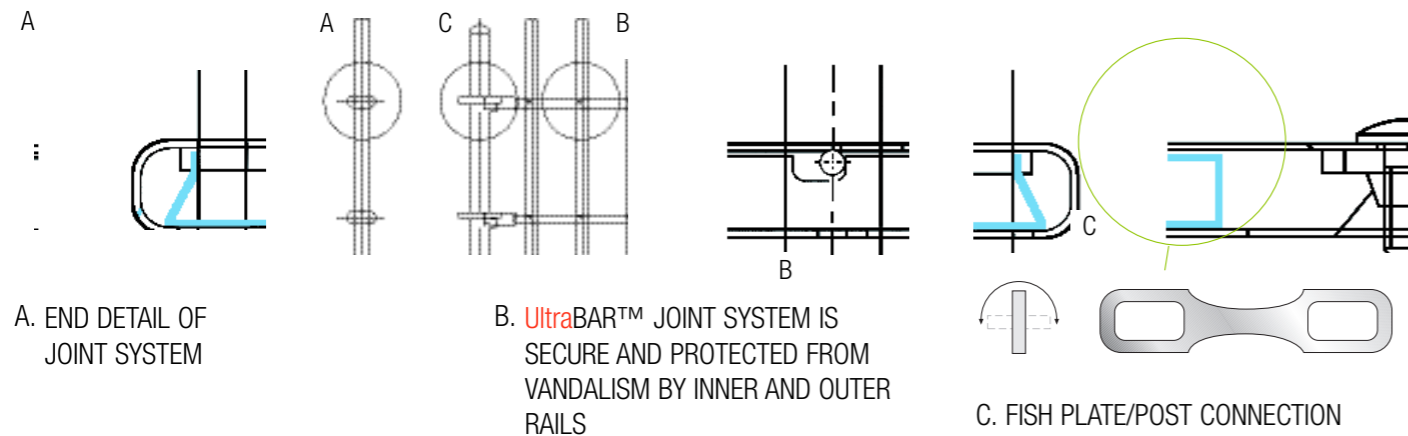
30° of rake for vertical bar application. Allowing railings to be installed in the most awkward areas without the need for stepping.

20° of rake for the bow top applications.

Construction

TYPICAL CONSTRUCTION METHODS FOR UltraBAR™ STANDARD UPRIGHTS, BOW & PLAYGROUND

TECHNICAL SPECIFICATION SHEET AVAILABLE UPON REQUEST. DETAILS ARE SUBJECT TO CHANGE WITHOUT PRIOR NOTIFICATION



Specifications

STANDARD BAY WIDTH OF 3000mm REDUCES INSTALLATION TIME AND NUMBER OF POSTS OVER LARGER PROJECTS

THIRD RAIL

A third rail is also standard on Vertical and Bow Top systems 2.4m high.

COLOUR

Railings of all sizes and configurations can be produced galvanised to BS EN ISO 1461: 1999 and polyester powder coated to any colour, special order.

A range of standard gates (see overleaf) and panels are available from stock. Powder coated to RAL 9005-Black and RAL 6005-Green.

VERTICAL, BOW TOP AND PLAYGROUND STANDARD HEIGHTS TABLE

	Playground	Bow-Top	Vertical Bar
900mm	4	8	8
1000mm	4	4	4
1200mm	4	4	4
1500mm	4	4	4
1800mm	4	4	4
2000mm	8	4	4
2100mm	8	4	4
2400mm with 3rd rail	8	4	4